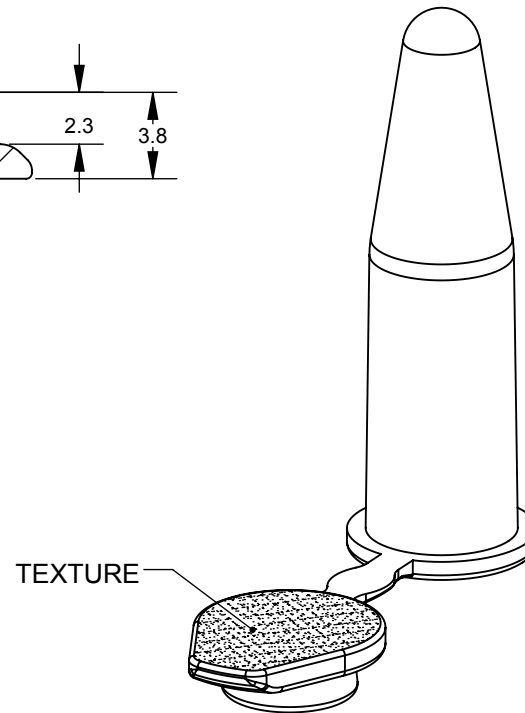
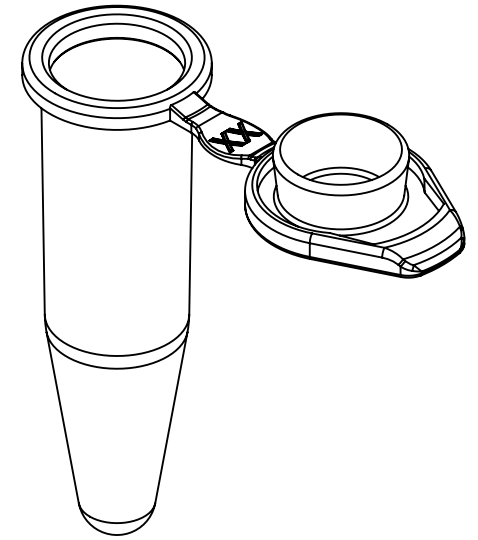


SECTION A-A
SCALE 3 : 1



PR1MA™

PR-PCR5F

0.5 mL PCR TUBE W/ FROSTED FLAT CAP

ALL DIMENSIONS ARE IN MILLIMETERS

ORDER TODAY! midsci.com • custserv@midsci.com • 800.227.9997 • f: 636.225.9998