

SPEC OF AT020B-9

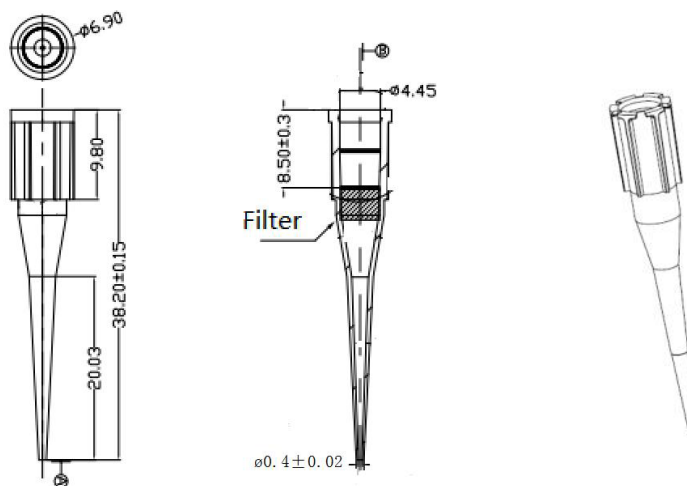
STP-JX-Tip-AT020B-9-A1

GEB Robotic Tips for Beckman FX/NX®, Multimek AP96® and Biomek 3000®.
Product details at-a-glance

GEB Cat#	Max Volume	Tip Color	Low Retention	Sterilized	Filtered (4.3*3.5)mm	Packaging Spec.
AT020B-9-N	20ul	Natural				96tips/rack, 10racks/pack 5packs/case. 4800 tips/case, 50racks/case (Conductive black)
AT020B-9-N-LB	20ul	Natural	Low Retention			
AT020B-9-NS	20ul	Natural		Sterilized		
AT020B-9-NS-LB	20ul	Natural	Low Retention	Sterilized		
AF020B-9-NS	20ul	Natural		Sterilized	Filtered	
AF020B-9-NS-LB	20ul	Natural	Low Retention	Sterilized	Filtered	
AT020B-9-X	20ul	Black				
AT020B-9-X-LB	20ul	Black	Low Retention			
AT020B-9-XS	20ul	Black		Sterilized		
AT020B-9-XS-LB	20ul	Black	Low Retention	Sterilized		
AF020B-9-XS	20ul	Black		Sterilized	Filtered	
AF020B-9-XS-LB	20ul	Black	Low Retention	Sterilized	Filtered	
Case dimension L*W*H: 480*345*280 mm.			Gross Weight : 9.8 kg.			

- ✧ 20µL Liquid Level Sensing Tips
- ✧ 96 Tip/Hanging Tip Rack format
- ✧ Polypropylene
- ✧ Filtered(With aerosol-resistant filters) /NonFiltered
- ✧ Presterile/ Nonsterile
- ✧ Certified RNase-/DNase-free
- ✧ Nonpyrogenic
- ✧ Endotoxin-Safe meets USP/FDA standards
- ✧ Comply With USP 3127 (Heavy Metal Contamination) standard
- ✧ Compatibility: Beckman FX/NX®, Multimek AP96® and Biomek 3000® workstations.

Drawing: (No tolerance Diameter tolerance: ±0.03mm , Height tolerance: ±0.25mm)



Prepared by: Anne Oct.13, 2020 Approve: WeiMing Yu Oct.13,2020