

SPEC OF AT050B-9

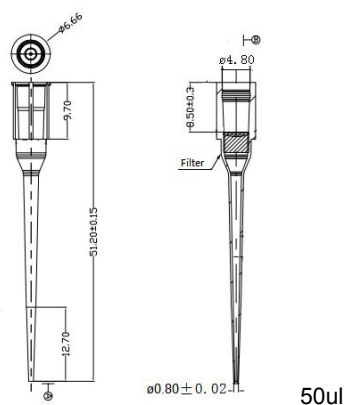
STP-JX-Tip-AT050B-9-A1

GEB Robotic Tips for Beckman FX/NX®, Multimek AP96® and Biomek 3000®.
Product details at-a-glance

GEB Cat#	Max Volume	Tip Color	Low Retention	Sterilized	Filtered (4.3*3.5)mm	Packaging Spec.
AT050B-9-N	50ul	Natural				96tips/rack, 10racks/pack
AT050B-9-N-LB	50ul	Natural	Low Retention			
AT050B-9-NS	50ul	Natural		Sterilized		5packs/case. 4800
AT050B-9-NS-LB	50ul	Natural	Low Retention	Sterilized		
AF050B-9-NS	50ul	Natural		Sterilized	Filtered	tips/case, 50racks/case
AF050B-9-NS-LB	50ul	Natural	Low Retention	Sterilized	Filtered	
AT050B-9-X	50ul	Black				96tips/rack, 10racks/pack
AT050B-9-X-LB	50ul	Black	Low Retention			
AT050B-9-XS	50ul	Black		Sterilized		5packs/case. (Conductive black)
AT050B-9-XS-LB	50ul	Black	Low Retention	Sterilized		
AF050B-9-XS	50ul	Black		Sterilized	Filtered	
AF050B-9-XS-LB	50ul	Black	Low Retention	Sterilized	Filtered	
Case dimension L*W*H: 480*345*280 mm.			Gross Weight : 10.1kg.			

- ✧ 50µL Liquid Level Sensing Tips
- ✧ 96 Tip/Hanging Tip Rack format
- ✧ Polypropylene
- ✧ Filtered (With aerosol-resistant filters) /NonFiltered
- ✧ Presterile / Nonsterile
- ✧ Certified RNase-/DNase-free
- ✧ Nonpyrogenic
- ✧ Endotoxin-Safe meets USP/FDA standards
- ✧ Comply With USP 3127 (Heavy Metal Contamination) standards
- ✧ Compatibility: Beckman FX/NX®, Multimek AP96® and Biomek 3000® workstations.

Drawing: (No tolerance Diameter tolerance: ±0.03mm , Height tolerance: ±0.25mm)



Prepared by: Anne Oct.13, 2020 Approve: WeiMing Yu Oct.13,2020