

# SPEC OF AT010R-B/9/E

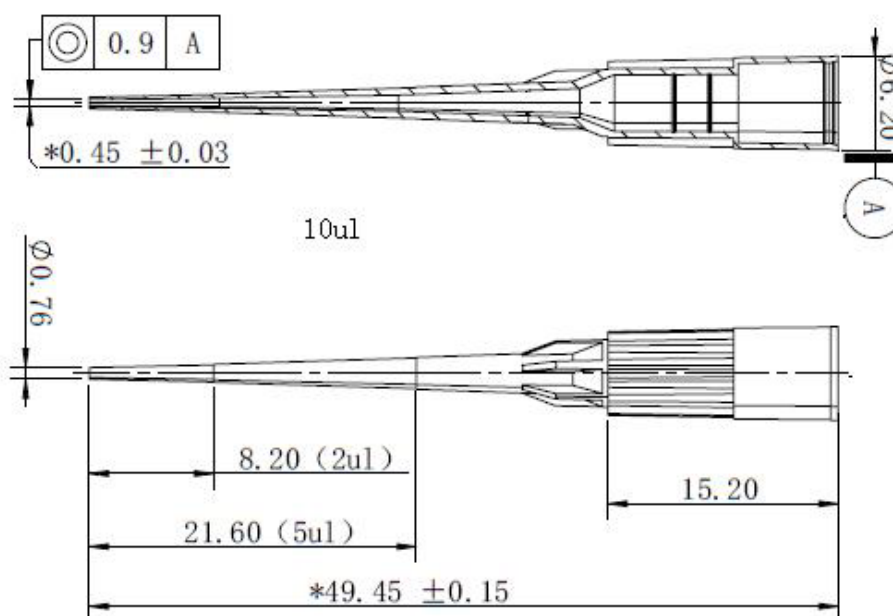
STP-JX-Tip-AT010R-B/9/E-A2

GEB Robotic Tips for Rainin® can be used in proteomics, drug development, genomics and other fields.

## Product details at-a-glance

GEB Cat#	Max Volume	Tip Color	Low Retention	Sterilized	Filtered (1.8*3.5)mm	Packaging Spec.
AT010R-9-N	10ul	Natural				96 tips/rack, 10 racks/pack, 5 packs/case. 50 racks/case, 4,800 tips/case.
AT010R-9-NS	10ul	Natural		Sterilized		
AF010R-9-NS	10ul	Natural		Sterilized	Filtered	
AF010R-9-NS-LB	10ul	Natural	Low Retention	Sterilized	Filtered	
Case dimension L*W*H: 480*345*280mm				Gross Weight : 7.8kg		

- ✧ 10µL Natural Tips
- ✧ 96 Tip/Hanging Tip Rack format/Blut
- ✧ Polypropylene
- ✧ Certified DNase/RNase free
- ✧ Nonpyrogenic
- ✧ Presterile/Nonsterile
- ✧ Filtered(Filtered With aerosol-resistant filters)/NonFiltered
- ✧ Endotoxin-Safe meets USP/FDA standards
- ✧ Comply With USP 3127 (Heavy Metal Contamination) standards
- ✧ Compatibility: Rainin® liquid workstations.



Anne Apr. 14 , 2021 Approve:WeiMing Yu Apr. 14 , 2021