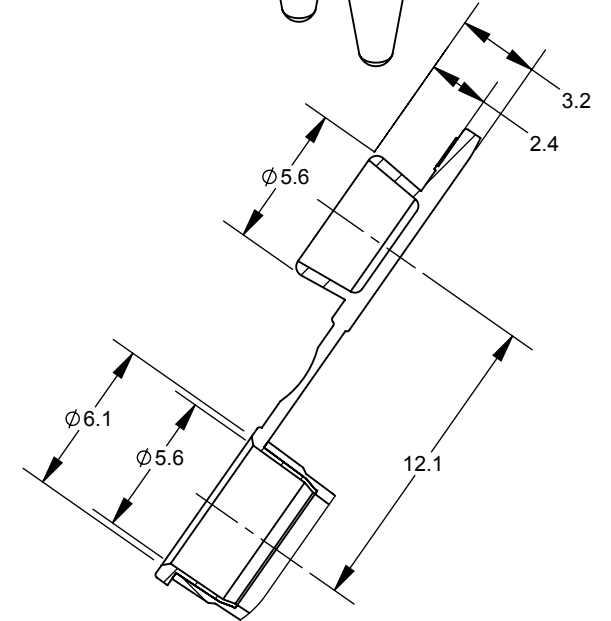


SECTION A-A
SCALE: 1.7 : 1
TYP



DETAIL B
SCALE: 3.4 : 1
TYP

PR1MA™

PR-PCR18ACF

8-STRIP PCR TUBE W/ SNAP STRIP FLAT CAP

ALL DIMENSIONS ARE IN MILLIMETERS

ORDER TODAY! midsci.com • custserv@midsci.com • 800.227.9997 • f: 636.225.9998