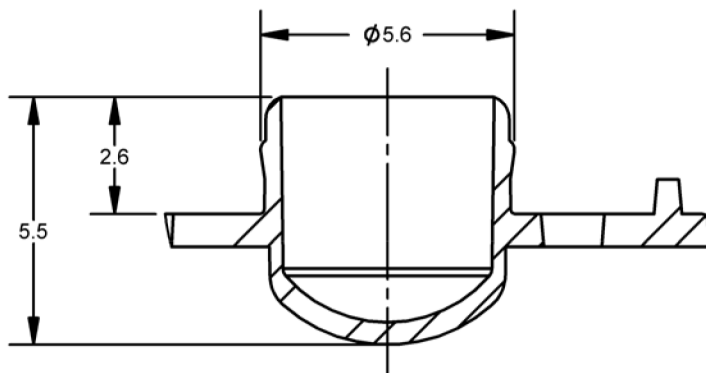
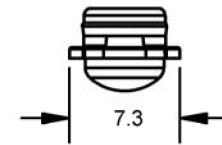


SECTION A-A  
SCALE 2 : 1



DETAIL D  
SCALE 6 : 1  
TYP

## PR-PCRC8D

8-STRIP PCR TUBE W/ DOME CAP (EASY SEAL)

ALL DIMENSIONS ARE IN MILLIMETERS

